

INTEGRATE YOUR MANUAL TRANSFER SWITCH AND DOCKING STATION EQUIPMENT INTO A SINGLE TURNKEY INSTALLATION

With any emergency power system, the ability to safely transfer between normal and emergency power systems is critical to minimizing facility downtime and maintaining operational continuity. Trystar's UL 1008 listed TMTS product line features an integrated 3 Position Rotary Transfer Switch and Generator Docking Station connectivity in a single turn-key design to ensure your facility is ready to respond during the next outage. The flexible design of the TMTS offers several configurations to seamlessly integrate into your facility's electrical infrastructure and allow the safe, fast, and legal connection of a temporary generator or load bank.

REDUCE TOTAL COST OF OWNERSHIP

- Integrating the Manual Transfer Switch and Docking Station into one piece of equipment significantly reduces installation costs. Less panel means smaller installation footprint saving valuable space on your facility.

IMPROVE EMERGENCY EQUIPMENT ROI:

- Camlok connections are designed for the repetitive use of temporary applications, eliminating the wear & tear on mechanical components, the number one cause of electrical failures.

MINIMIZE FACILITY DOWNTIME

- Eliminate the need for an electrician to install a temporary generator through our industry-standard Camlok connections.

MITIGATE OPERATIONAL SAFETY RISKS:

- Manual-on-off-on operation removes the risk of operation errors by preventing the interconnection or backfeeding of power sources.



MAINTAIN BUSINESS CONTINUITY

Ensure your business is ready to respond and maintain operations during your next power outage by having the equipment in place to safely, legally, and quickly connect an emergency power source.

AUTOMATIC TRANSFER SWITCH

FEATURES AND OPTIONS



APPLICATION RANGE

- 100-1200A
- Up To 600V

STANDARD FEATURES

- Factory installed phase rotation monitor
- All aluminum NEMA 3R or stainless 4X construction
- 3 position rotary transfer switch (on-off-on) to safely transfer between permanent and temporary source
- Patented tamper-resistant rake system to prevent cable theft and unauthorized disconnection
- Industry standard 16 Series CamLok connections compatible with any rental generator or load bank

AVAILABLE OPTIONS

- SER MAIN BREAKER OPTIONAL
- Strip heater & unit thermostat (375 Watt)
- Secondary convenience receptacles for added power options
- Patented solenoid safety interlock door to comply with NEC 702.12C
- Utility indicator lights
- Visit trystar.com for a full list of additional options and features



LISTINGS

- Listed to UL 1008 standards
- UL 50 listed enclosure
- NEC 700.3F compliant by application
- NEC 702.12C compliant with safety interlock door adder

SAMPLE INDUSTRIES

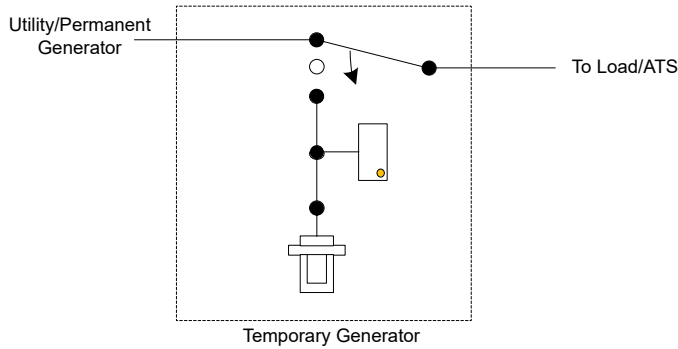


MANUAL TRANSFER SWITCH

ONE LINES

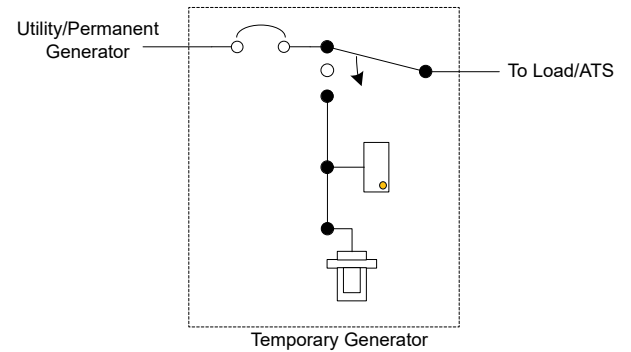


TMTS-1



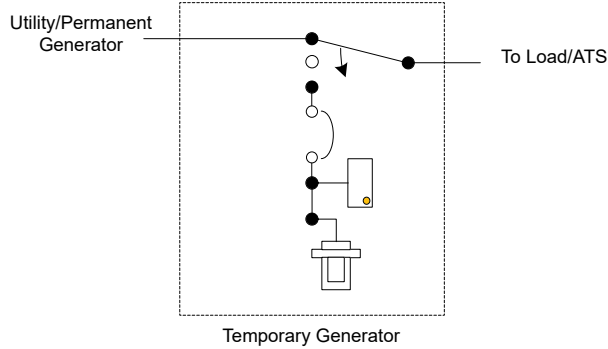
Base TMTS with 3 position rotary to transfer between permanent and temporary source

TMTS-2



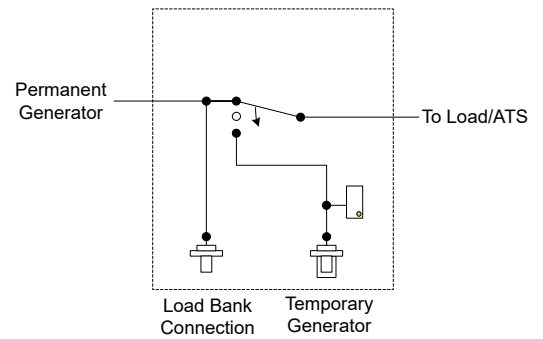
Service entrance rated TMTS with 3 position rotary to transfer between utility and temporary source

TMTS-3



TMTS with temporary generator breaker to allow transfer between permanent and temporary source

TMTS-5



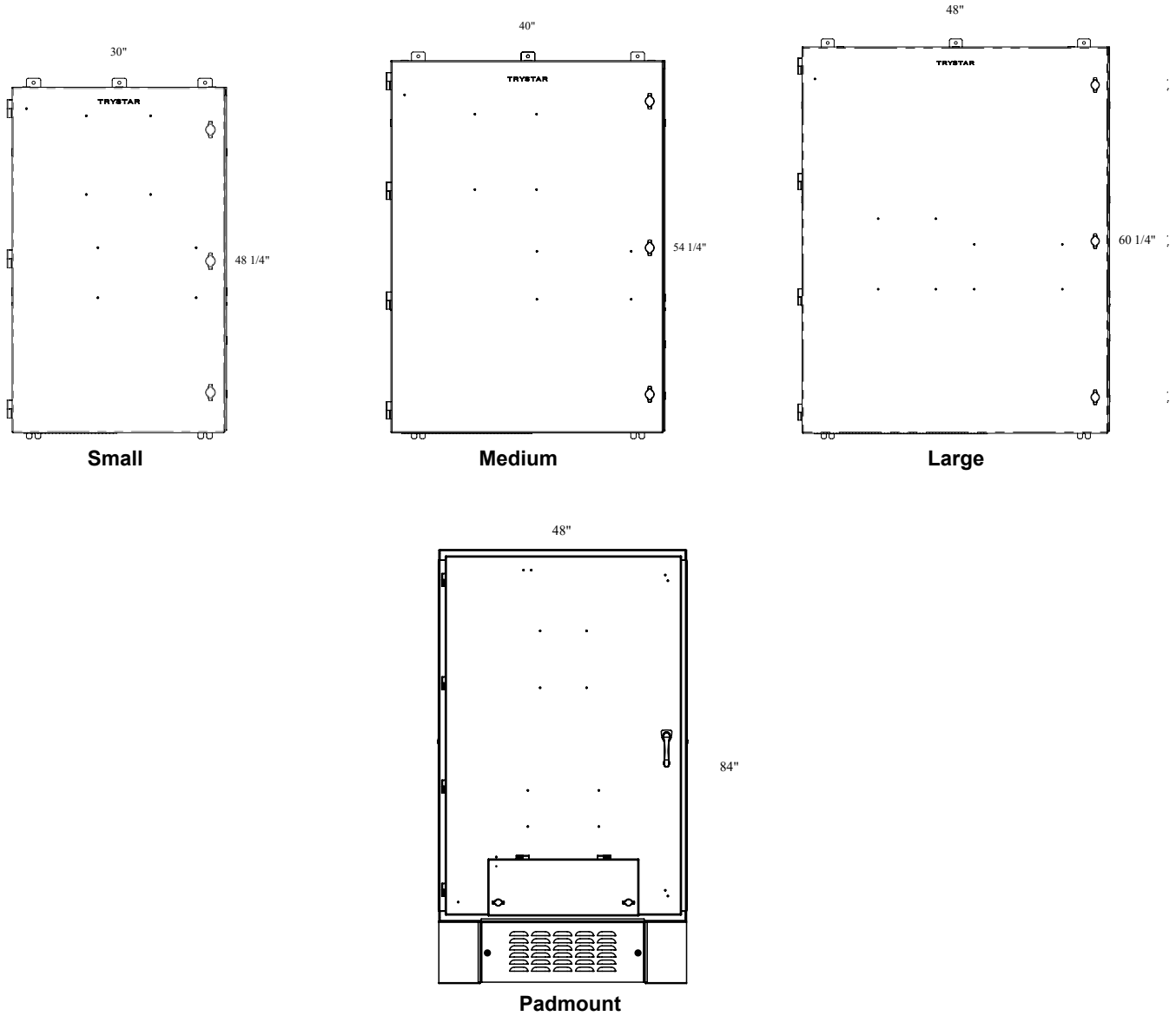
Dual purpose to allow load banking of permanent generator and connection of temporary source

Key

| | | | | | | |
|----------------------|-----------------|------------------------|----------------------|---------------------------|---------------------------|----------------------|
| | | | | | | |
| Hardware Lug | Load Center | Male Cam Lock | Female Cam Lock | Automatic Transfer Switch | Kirk Key Interlock System | Connection Point |
| | | | | | | |
| Class CC Fuse Holder | Circuit Breaker | Phase Rotation Monitor | Auto Start Terminals | Terminal Block | Strip Heater | Silver Plated Busbar |

MANUAL TRANSFER SWITCH

DIMENSIONS



| TMTS Line | Small | Medium | Large | Padmount |
|------------------------|---------------|---------------|---------------|---------------|
| TMTS-1, TMTS-2, TMTS-3 | 100-400A | 600A | 800-1200A | 800-1200A |
| TMTS-5 | 100-300A | 400A | 600A | 800-1200A |
| Dimensions | 48" x 30" 16" | 54" x 40" 16" | 60" x 48" 16" | 84" x 48" 43" |
| Approx. Weight | 150lb | 250lb | 350lb | 750lb |