

15kVA Dolly Transformer

Portable Power Distribution



APPLICATION RANGE

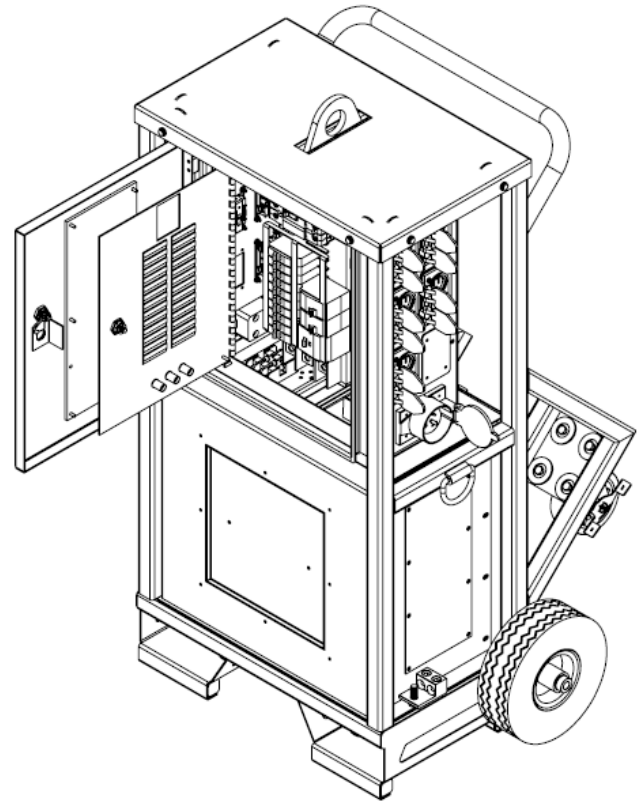
Trystar Step Down Transformer
15kVA 480V:208Y/120V

STANDARD FEATURES

- NEMA 3R all aluminum construction
- Mounted in heavy-duty dolly-style cart with lifting eye
- Custom powder coat
- Custom UV-printed graphics
- Made in USA

CONFIGURATION

- Primary Side
 - Cordgrip Input (Sized for 4/4 Type W)
 - 2 x 60A 480V Pin & Sleeve Receptacles
 - 2 x 60A 480V 3P Circuit Breakers
 - 30A 3P Primary Side Transformer Circuit Breaker
- Output
 - 1 x 50A 3P Secondary Side Transformer Circuit Breaker
 - 2 x 50A 125/250V Cali Style Receptacles
 - 2 x 50A 240V 2P GFCI Circuit Breakers
 - 10 x 20A 120V Duplex Receptacles
 - 10 x 20A 240V 1P GFCI Circuit Breakers



LISTINGS

- UL1640 Listed
- C(ETL) Listed
- UL 50 Listed
- NEMA 3R

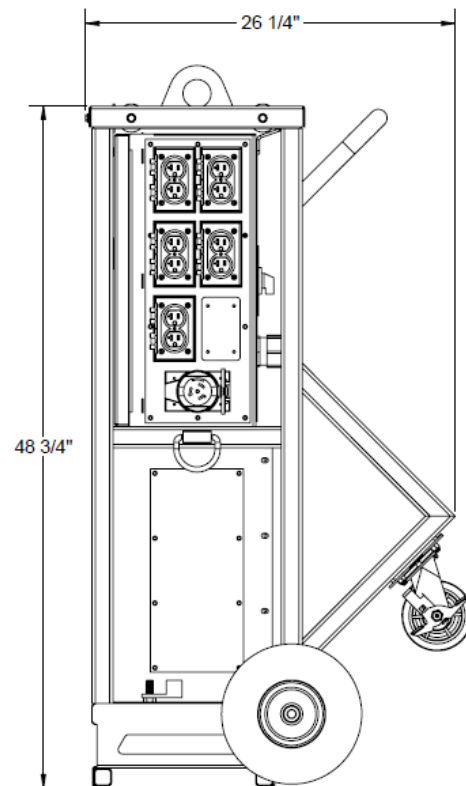
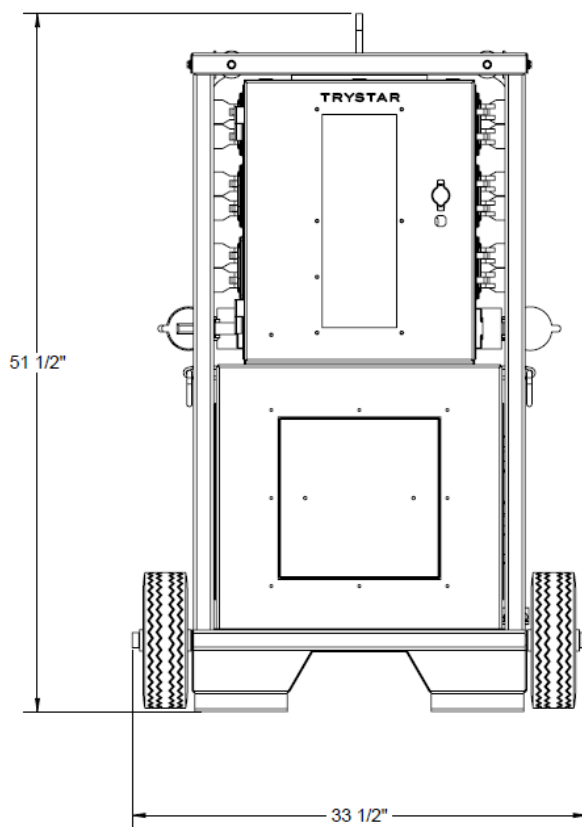
*Images are representative, specific final design details may vary

15kVA Dolly Transformer

DIMENSIONS AND WEIGHTS



APPROXIMATE WEIGHT: 600 LBS.



*Dimensions are representative, specific final design details may vary