

# 45kVA Transformer

Portable Power Distribution

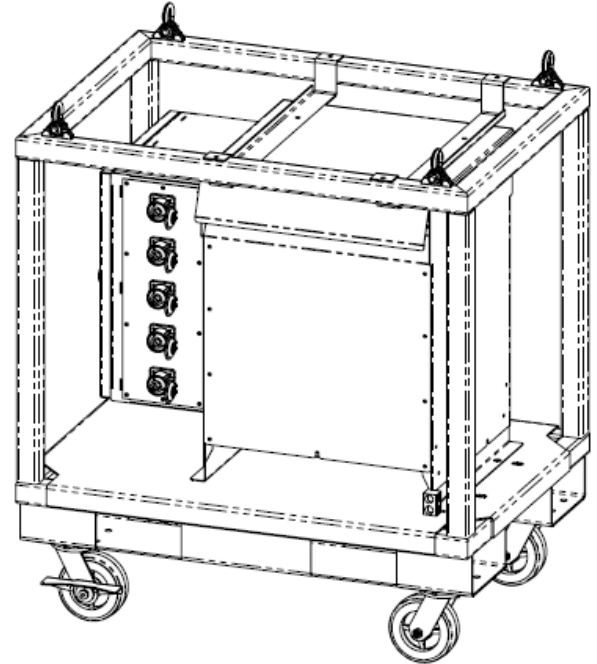


## APPLICATION RANGE

Trystar Step Down Transformer  
45kVA 480V:208Y/120V

## STANDARD FEATURES

- NEMA 3R all aluminum construction
- Mounted in heavy-duty cage w/castors, forklift pockets, and lifting eyes
- Custom powder coat
- Custom UV-printed graphics
- Made in USA



## CONFIGURATION

- Primary Side
  - 4-Wire Camlok Input (BN, OR, YW, GN)
  - 70A 3P Primary Side Transformer Circuit Breaker
- Output
  - 5-Wire Camlok Output (BK, RD, BE, WT, GN)
  - 125A 3P Secondary Side Transformer Circuit Breaker

## LISTINGS

- UL1640 Listed
- C(ETL) Listed
- UL 50 Listed
- NEMA 3R

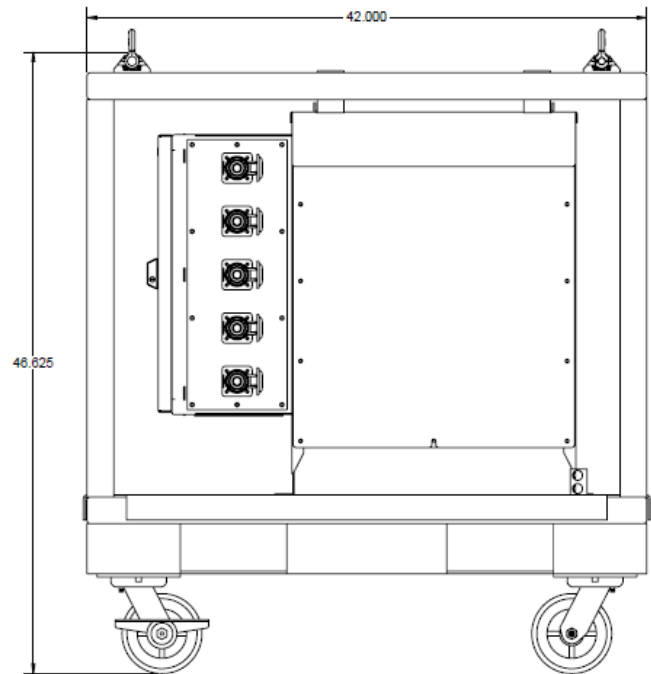
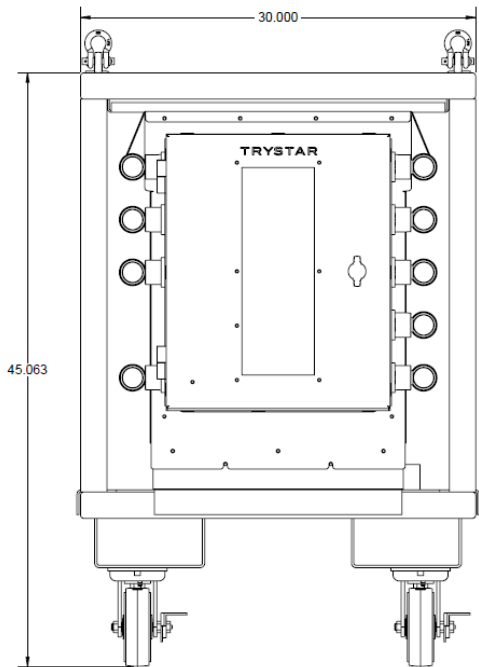
\*Images are representative, specific final design details may vary

# 45kVA Transformer

## DIMENSIONS AND WEIGHTS



APPROXIMATE WEIGHT: 800 LBS.



\*Dimensions are representative, specific final design details may vary