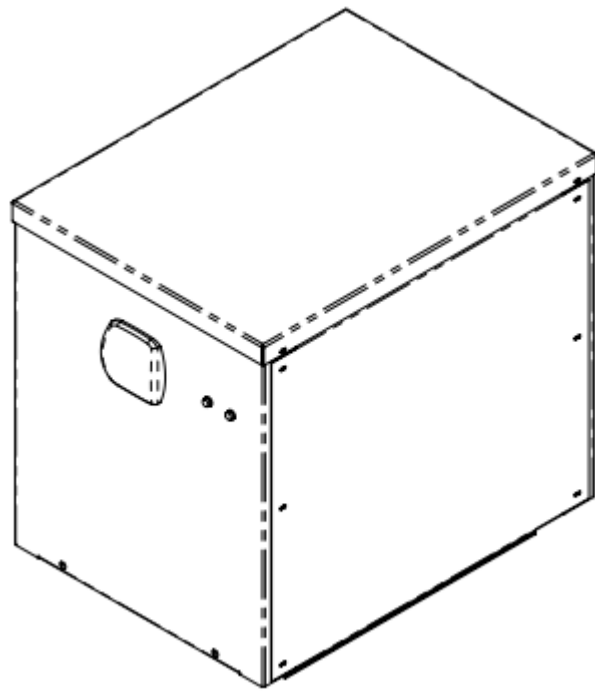


Single-Phase Automatic Voltage Regulator

5 kVA – 25 kVA



INTRODUCTION

The Series 700A Power Processor is a solid-state, microprocessor-controlled automatic voltage regulator (AVR) designed to protect sensitive electronic equipment from voltage fluctuations, transients, and electrical noise. It delivers tightly regulated, isolated power for commercial and industrial applications operating in harsh or “polluted” electrical environments.

Key Features

- 7-tap, microprocessor-controlled regulation for high accuracy and stability
- Maintains output voltage to $\pm 3\%$ of nominal within one cycle
- Maintains regulation during extended brownouts
- Low output impedance transformer minimizes voltage distortion and sag
- Triple-shielded isolation transformer:
 - Attenuates voltage spikes and transients
 - Provides a noise-free ground
 - Re-establishes neutral-to-ground bond
- High surge handling capability without automatic bypassing
- Superior performance with dynamic and non-linear loads
- High-efficiency design for reduced operating cost
- Optional internal manual bypass maintains power conditioning during service

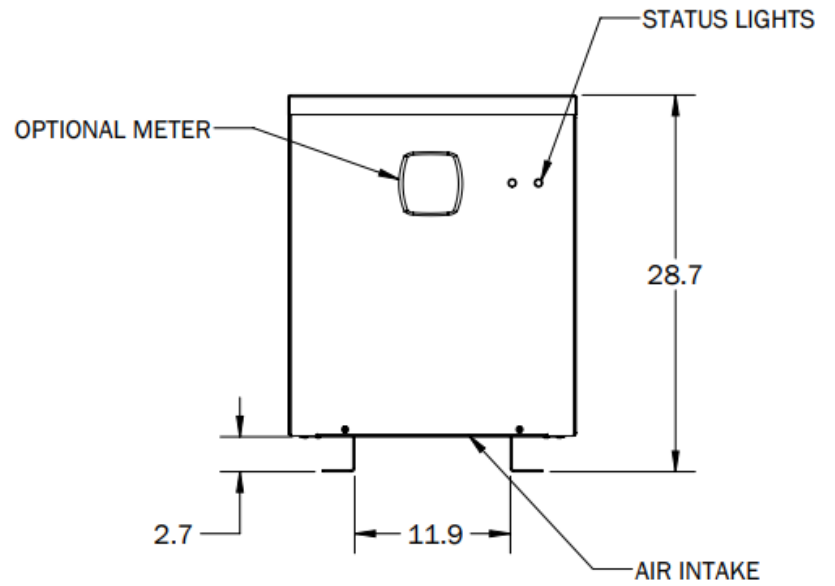
SPECIFICATIONS

Power		
Input (5-25kVA)	120V, 208V, 220V, 230V, 240V, 277V, 347V, 480V, or 600V	
Operating Range	+10% / -20% from nominal	
Power Factor	>0.99 (resistive load)	
Output	120V, 208V, 220V, 230V, 240V, 277V, 347V, 480V, or 600V	
Regulation	$\pm 3\%$ typical	
Response Time	<1/2 cycle	
Loag Regulation	2.5% typical (no-load to full-load)	
Correction Time	1 cycle	
Overload Capability	200% for 10 seconds	
	1000% for 1 cycle	
Efficiency	96–97% typical (model and load dependent)	
Noise Attenuation	Common Mode: 146 dB	
	Transverse Mode: 40 dB/decade attenuation	
Transient Protection	Meets ANSI C62.41 Category B-3	
Frequency		
60 Hz (+/- 3 Hz)	Standard	
50 Hz	Optional	

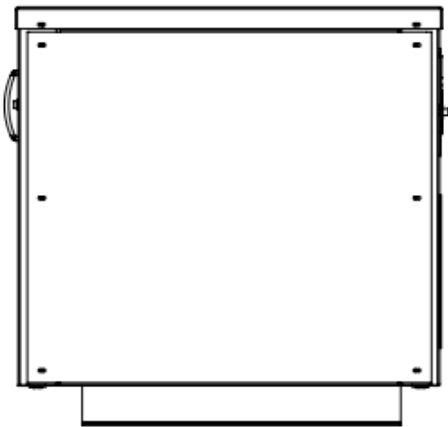
DIMENSIONAL DRAWINGS

(in Inches)

Front View



Side View



Top View

