

Software Setup

The Event Manager must be connected to the system network for it to recognize the Sequence of Event recorders on that network.

Step 1: Log into the static IP address associated with the device. (The default IP address is: 169.254.1.10)

Step 2: The default ID and Passwords are both: 'admin'.

Step 3: Navigate to the 'Setup' page (figure 6). Enter the IP credentials of your network, and hit 'Apply'. The Event Manager will then re-boot. Once the unit has re-booted, then log into the unit with the existing or NEW IP address if you've just programmed a new IP address into the unit. Return to the setup screen to continue the setup process.

Step 4: Select the 'Time' button on the left side of the 'Setup' page to set up the time clock. Plug in the proper time synch options and protocols, then select the 'Apply' button.

Step 5: The CyTime Event Manager must locate and communicate with all the Sequence of Event Recorders (SERs) on the network. There are 3 ways in which to identify the SERs on the Event Manager. First, make sure you're on the 'Setup' screen.

1. **'Auto Discover'** - Select the 'Auto Discover' tab, this selection will automatically identify any SERs located on the network. Type in an IP range, and select 'Add Route to List'.
2. **Select the 'Devices' tab.** Here the user can manually set up each SER on the network by entering it's corresponding IP address.
3. **Select the 'Devices' tab.** Select the 'Import' button, and upload a .csv file with a list of unit IP addresses.

Step 6: Once the SER devices have been located on the network, you can then go to the 'System' page. Here you will have a visual representation of all the SER devices on the network. (figure 7).

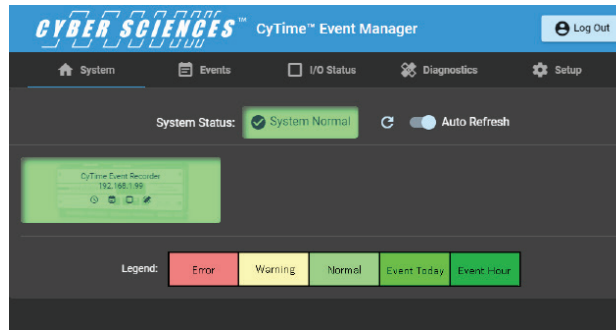


Figure 7. System Screen

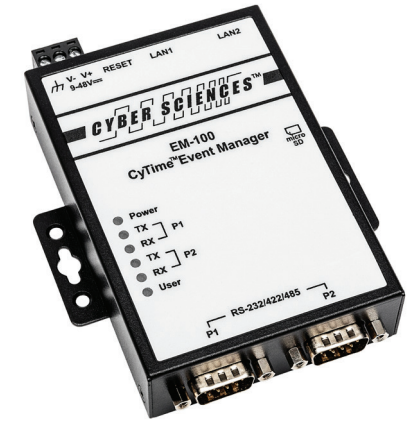
For More Information on the Trystar Event Manager or Sequence of Events Recorders, Visit: TRYSTAR.com



15765 Acorn Trail / Faribault, MN 55021 / 507.333.3990
 Document Number: 0504H00426 / April 2026
 © 2026 Trystar, LLC. All rights reserved.

EM-100

Quick Start Guide



The Trystar Event Manager is a single point of reference for multiple sequence of event recorders, providing an overall view of the diagnostic health of your critical power system.

The Trystar Event Manager provides the ability to view and monitor input/output (I/O) status from multiple Sequence of Event Recorders (SERs) in one easy to read web interface.

The Event Manager allows the user to consolidate events from all downstream SERs pertaining to a single incident, providing powerful event reconstruction analysis. Setup of the CyTime Event Manager is simple, and takes only a few minutes.

Package Contents:
 - EM-100 (Event Manger)
 - Quick Start Guide

EM-100 Quick Start Guide

DANGER

HAZARD OF ELECTRIC SHOCK, EXPLOSION, OR ARC FLASH

Only qualified workers should install this equipment. Such work should be performed only after reading this entire set of instructions.

NEVER work alone.

Before performing visual inspections, tests, or maintenance on this equipment, disconnect all sources of electric power. Assume that all circuits are live until they have been completely de-energized, tested, and tagged. Pay particular attention to the design of the power system. Consider all sources of power, including the possibility of backfeeding.

Apply appropriate personal protective equipment (PPE) and follow safe electrical practices. For example, in the USA, see NFPA 70E.

Turn off all power supplying the equipment in which the device is to be installed before installing and wiring the device.

Always use a properly rated voltage sensing device to confirm that power is off.

Beware of potential hazards, wear personal protective equipment, and carefully inspect the work area for tools and objects that may have been left inside the equipment.

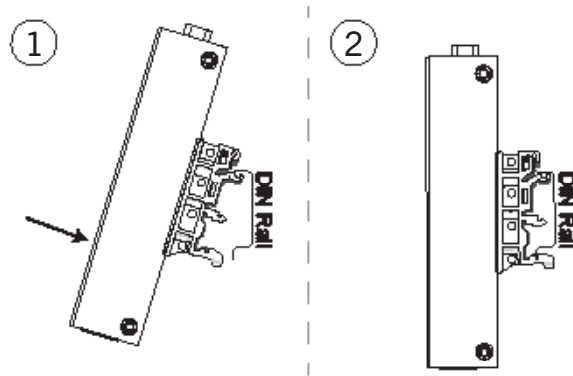
The successful operation of this equipment depends upon proper handling, installation, and operation. Neglecting fundamental installation requirements may lead to personal injury as well as damage to electrical equipment or other property.

Failure to follow these instructions can result in death or serious injury.

Installation

The Event Manager is mounted to a standard DIN rail by engaging the top edge first, then locked into place as shown:

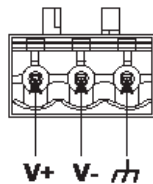
1. Start by engaging the upper edge of the DIN-mounting brackets with the top of the DIN rail as shown.
2. Then push the bottom of the unit until the bottom latch of the DIN mount snaps into place.



To uninstall, pull down on the lower DIN mounting clip and pull the bottom of the unit towards you. (reverse of the installation)

Connecting the Power

Connect the 9 - 48 VDC power line to the terminal block, which is connected to the unit. If powered correctly, the Power LED on the Event Manager will glow a solid 'green'.



The terminal block is suitable for 12 - 30 AWG (3.3 to 0.05mm²) wire

Input Rating: 9 to 48 VDC, 0.45 to 0.084 A

Grounding: Run the ground connection from the terminal block connector to the grounding surface prior to wiring the power.

Ethernet: The ethernet ports are located on the top of the unit. The LED indicator in the upper left corner glows a solid green when the computer establishes a connection with a 100 Mbps Ethernet network. The LED indicator in the upper right corner glows a solid orange when the computer establishes a connection with a 1000 Mbps Ethernet network.

Direct Connection to PC:

1. Connect the Event Manager LAN1 Port to your PC, using a standard Ethernet patch cable. (Special crossover cable is not required)

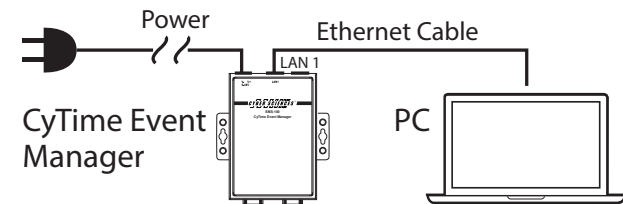


Figure 4

2. Set PC to use static IP address of: 169.254.1.11
3. Apply power to the Event Manager
4. Open a standard web browser, such as CHROME
5. Type the default IP address of the Event Manager (169.254.1.10) into the web browser
6. Enter the default user name (admin) and password (admin) and click the 'Login' button to access the home page
7. Click the 'Setup' page tab, then click 'Network'. Change the network settings to those provided by your network administrator and click 'Apply' to save. The Event Manager will then reboot.
8. Disconnect the Ethernet patch cable and connect the Event Manager to the local area network
9. Restore your PC to its previous network settings.