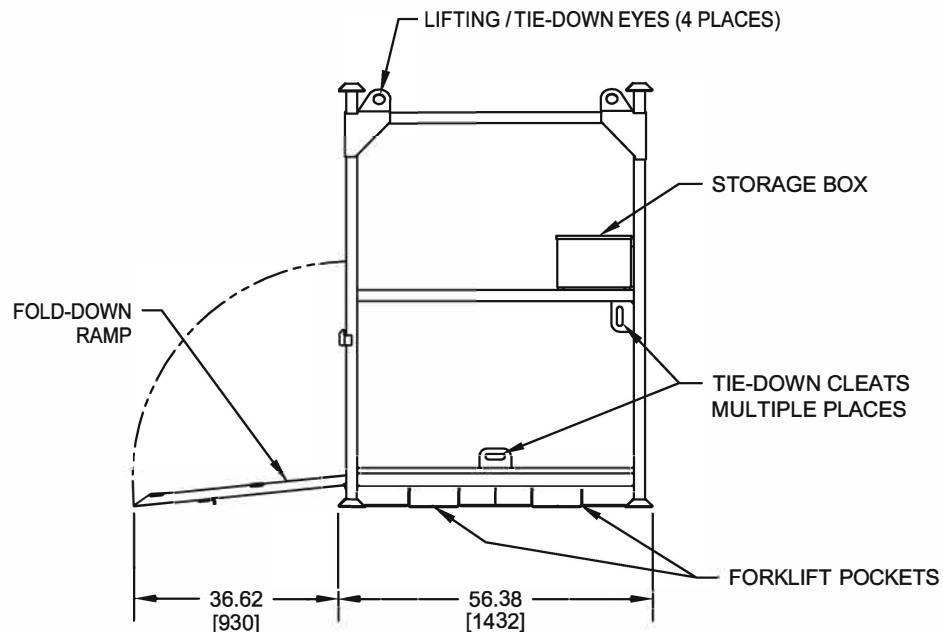
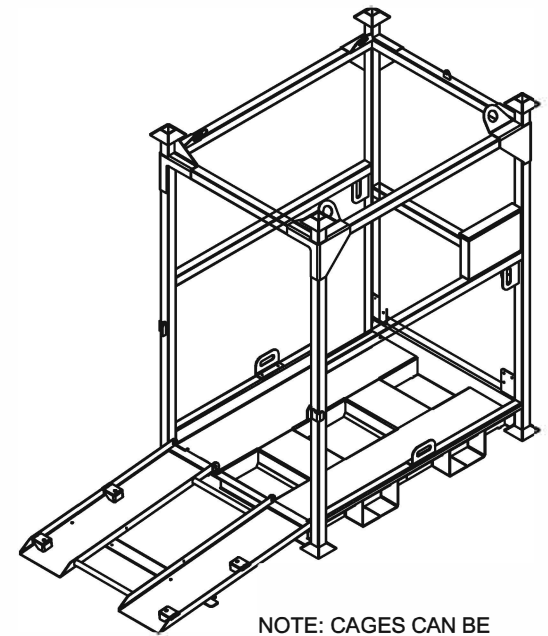


REAR VIEW



SIDE VIEW



NOTE: CAGES CAN BE STACKED ON TOP OF EACH OTHER.

THIS DRAWING IS PROPERTY OF LOAD BANKS DIRECT AND SHALL REMAIN SO WHILE IN USER'S POSSESSION. THE TECHNOLOGY SHOWN HERE IS STRICTLY PROPRIETARY AND IS NOT TO BE DISCLOSED TO ANY 3RD PARTY WITHOUT LOAD BANKS DIRECT PRIOR CONSENT.

GENERAL NOTES:

- A. UNLESS OTHERWISE NOTED:
 - 1. ALL DIMENSIONS ARE IN INCHES. EXCEPT "[xxx]" = mm.
- B. APPROX WEIGHT: 412 LBS [187 KG].
- C. CAGE IS POWER-COATED BLACK.



TEXT SHIPPING CAGE, PORTABLE LOAD BANK (FOR 300 KW THRU 700 KW VERTICAL LOAD BANKS)

DWG. NO.	REV.	SHEET	DATE	SIZE
LP300-700-CAGE-V2-OL	-	1 of 1	10/25/18	A
DRAWN BY JJF	CHCKD BY MMP			