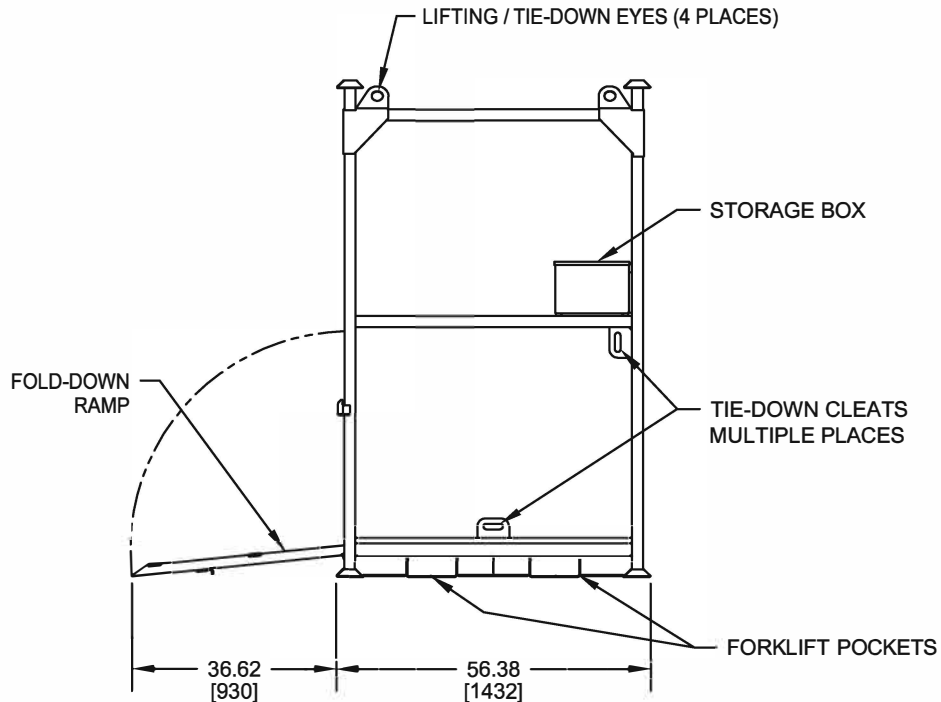
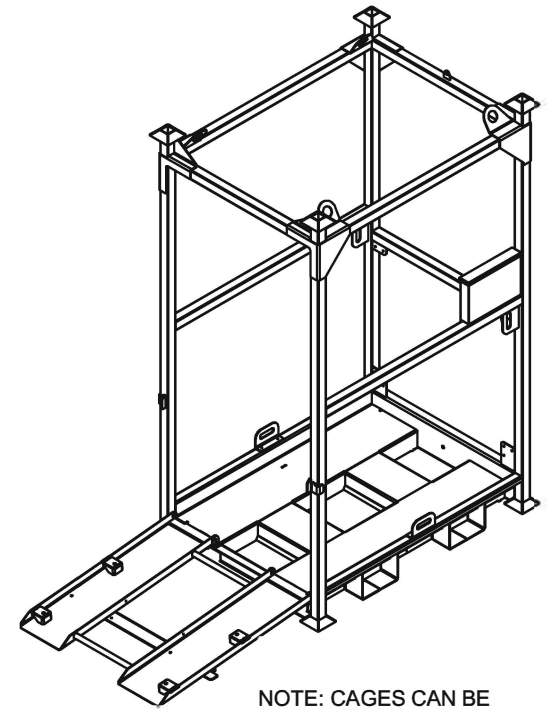


REAR VIEW



SIDE VIEW



NOTE: CAGES CAN BE STACKED ON TOP OF EACH OTHER.

THIS DRAWING IS PROPERTY OF LOAD BANKS DIRECT AND SHALL REMAIN SO WHILE IN USER'S POSSESSION. THE TECHNOLOGY SHOWN HERE IS STRICTLY PROPRIETARY AND IS NOT TO BE DISCLOSED TO ANY 3RD PARTY WITHOUT LOAD BANKS DIRECT PRIOR CONSENT.

GENERAL NOTES:

- A. UNLESS OTHERWISE NOTED:
 - 1. ALL DIMENSIONS ARE IN INCHES. EXCEPT "[xxx]" = mm.
- B. APPROX WEIGHT: 412 LBS [187 KG].
- C. CAGE IS POWER-COATED BLACK.



TEXT SHIPPING CAGE, PORTABLE LOAD BANK (FOR 800 KW THRU 1000 KW VERTICAL LOAD BANKS)

DWG. NO.	REV.	SHEET	
LP800-1000-CAGE-V2-OL	-	1 of 1	
DRAWN BY	CHKD BY	DATE	SIZE
JJF	MMP	10/25/18	A