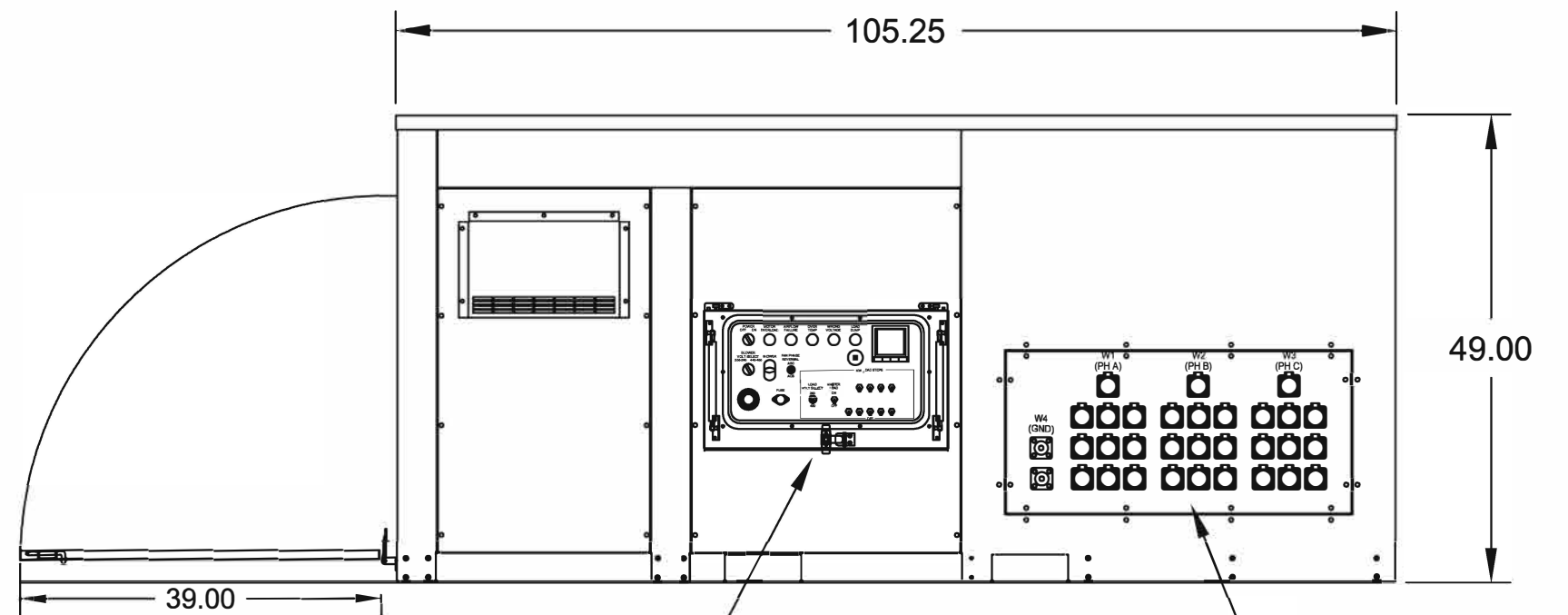


AIR EXHAUST
HINGED COVER



CONTROL
PANEL

CAM-LOK POWER
CONNECTIONS

GENERAL NOTES:

- A. UNLESS OTHERWISE NOTED:
 1. ALL DIMENSIONS ARE IN INCHES.
- B. APPROX WEIGHT: 5000 LBS



TEXT 2500 KW TRAILER LOAD BANK,

DWG. NO.	REV.	SHEET
LT2500H-OL	-	1 of 1

DRAWN BY	CHCK'D BY	DATE	SIZE
JJF	MMP	11-15-18	D