

Mini Tuff Panel - 6 x 50A

Portable Power Distribution



APPLICATION RANGE

Trystar Mini Tuff Panel
200A 208/120V

STANDARD FEATURES

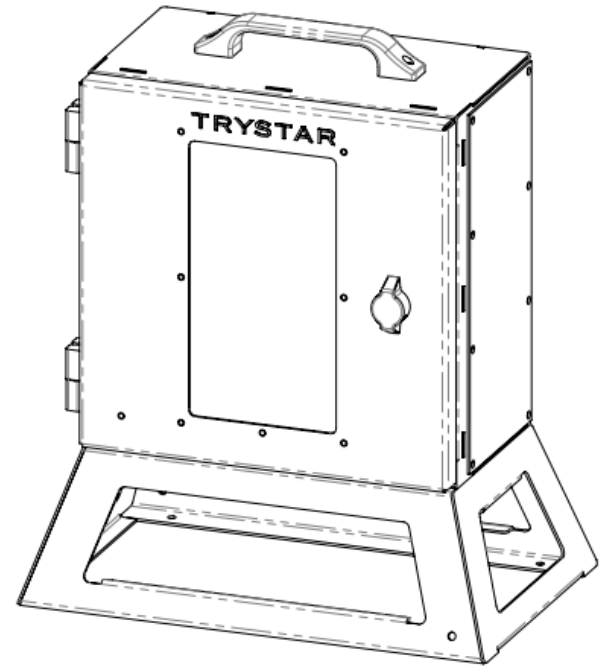
- NEMA 3R all aluminum construction,
- Heavy-duty stackable legs w/ built-in handles or heavy-duty stackable cage
- Custom powder coat
- Custom UV-printed graphics
- Made in USA

CONFIGURATION

- Input
 - 1 Set of 16 Series Male Panel Mounts
(BK, RD, BE, WT, GN)
- Output
 - 6 x 50A California Style Receptacle (125/250V)
 - 6 x 50A 2P Circuit Breaker

LISTINGS

- UL1640 Listed
- C(ETL) Listed
- UL 50 Listed
- NEMA 3R



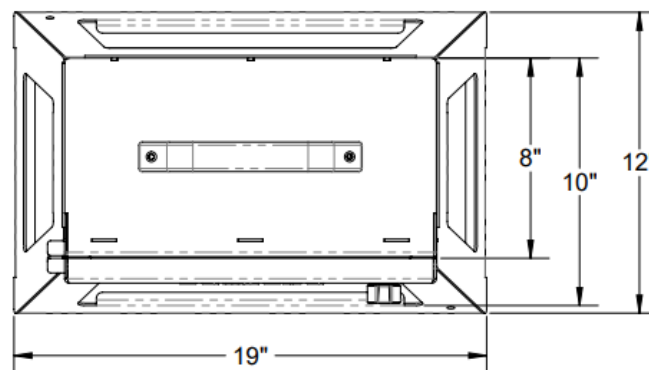
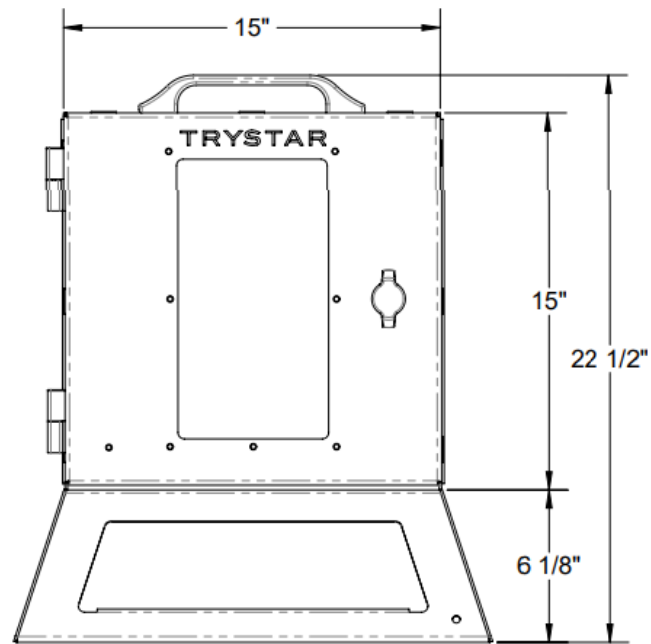
*Images are representative, specific final design details may vary

Mini Tuff Panel - 6 x 50A

DIMENSIONS AND WEIGHTS



APPROXIMATE WEIGHT: 55 LBS.



*Dimensions are representative, specific final design details may vary