


Initial Configuration – Device Display

The CyTime SER-32e features a 4.3” color touchscreen display that supports initial configuration of Ethernet communication parameters. To configure Ethernet or confirm settings, select the Setup icon ().



To configure Ethernet communications, select the “EDIT” button and step through the configuration wizard.

Configuration – Web Interface

Configuring the SER-32e can be accomplished using the device’s secure web server.

To connect a PC to the SER-32e:

- 1) Connect your PC to the SER using a standard Ethernet patch cable.
- 2) Set PC to use static IP address 169.254.0.10 (LAN 1 or LAN 2)
- 3) Apply power to the SER.
- 4) Open a standard web browser, such as Microsoft Edge™ or Google Chrome™.
- 5) Type the SER’s default IP address (169.254.0.10) into your web browser.
- 6) Enter the default user name (admin) and password (csi_serial number) and click “Login”.
- 7) Click the Setup tab to configure Communications, Time, Inputs, Groups and device Administration.

SER-32e

Quick Start Guide



SER-32e

The SER-32e sequence of events recorder provides precise time-stamped event reporting for 32 input channels to enable root-cause analysis and advanced system diagnostics.

Key features include:

- Configurable event recording
- Event log
- EPSS data log groups
- Operations counters
- Time synchronization (PTP, NTP, IRIG-B, DCF77)
- Time synch master (PTP, IRIG-B, DCF77, 1 per 10)
- Trigger output
- Ethernet communications
- ModbusTCP and RESTful support
- Secure web server

Package Contents:

- SER-32e sequence of events recorder
- Plug-in connectors
- Quick Start Guide

For More Information on Sequence of Events Recorders, Visit: TRYSTAR.com



15765 Acorn Trail / Faribault, MN 55021 / 507.333.3990
 Document Number: 0502H00426 / April 2026
 © 2026 Trystar, LLC. All rights reserved.

SER-32e Quick Start Guide

! DANGER

HAZARD OF ELECTRIC SHOCK, EXPLOSION, OR ARC FLASH

Only qualified workers should install this equipment. Such work should be performed only after reading this entire set of instructions.

NEVER work alone.

Before performing visual inspections, tests, or maintenance on this equipment, disconnect all sources of electric power. Assume that all circuits are live until they have been completely de-energized, tested, and tagged. Pay particular attention to the design of the power system. Consider all sources of power, including the possibility of backfeeding.

Apply appropriate personal protective equipment (PPE) and follow safe electrical practices. For example, in the USA, see NFPA 70E.

Turn off all power supplying the equipment in which the device is to be installed before installing and wiring the device.

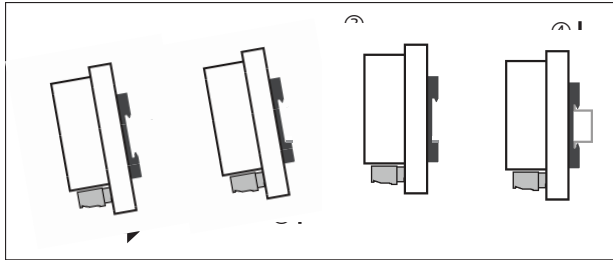
Always use a properly rated voltage sensing device to confirm that power is off.

Beware of potential hazards, wear personal protective equipment, and carefully inspect the work area for tools and objects that may have been left inside the equipment.

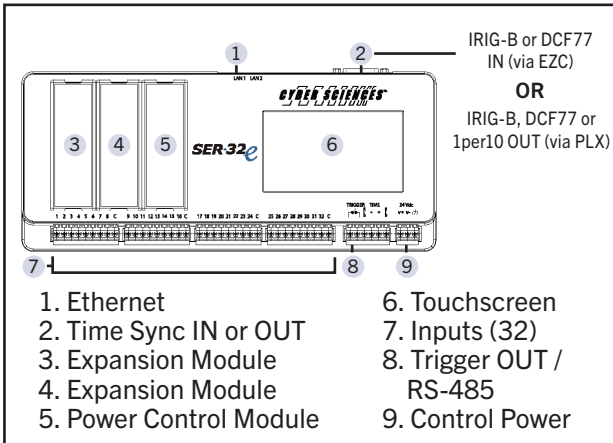
The successful operation of this equipment depends upon proper handling, installation, and operation. Neglecting fundamental installation requirements may lead to personal injury as well as damage to electrical equipment or other property.

Failure to follow these instructions can result in death or serious injury.

The SER-32e is mounted to a standard DIN rail by engaging the bottom edge of the rail first, pressing up and rotating the unit into place.

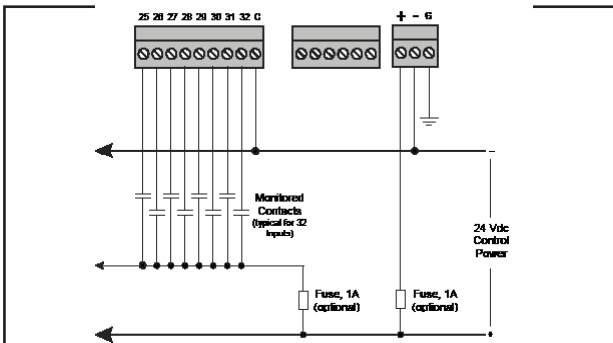


Wiring



Inputs

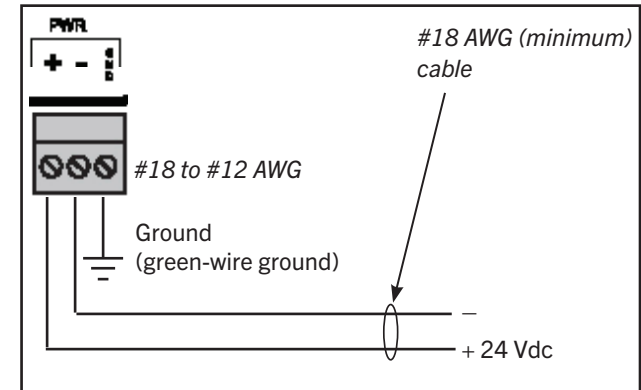
The SER has 32 isolated digital inputs arranged in 4 groups of 8 inputs, each sharing a common return. A 24 VDC wetting source is required.



Note: 18 AWG (Belden 8760) shielded twisted pair cable is recommended for all input and output connections.

Control Power

The SER requires a nominal 24 VDC, 7 VA control power source.



Note: The common connection from the 24Vdc power supply should not be connected to green-wire ground unless specified by local electrical codes.

Time Sync IN (IRIG-B or DCF77)

The SER can be configured to receive legacy time protocols (IRIG-B or DCF77) using option wiring accessories (EZC-IRIG-B or EZC-DCF77). For additional information, see the SER-32e User Guide and EZC instruction bulletin.

Time Sync OUT (IRIG-B, DCF77 or 1 per 10)

When the master time source is PTP or NTP, the SER can be configured to output legacy time protocols (IRIG-B, DCF77, 1 per 10) using optional wiring accessories (PLX-5V or PLX-24V). For additional information, see the SER-32e User Guide and the PLX Instruction Bulletin.

Trigger Output

The Trigger output can be used to initiate action in other devices such as a waveform capture, annunciation or control.

