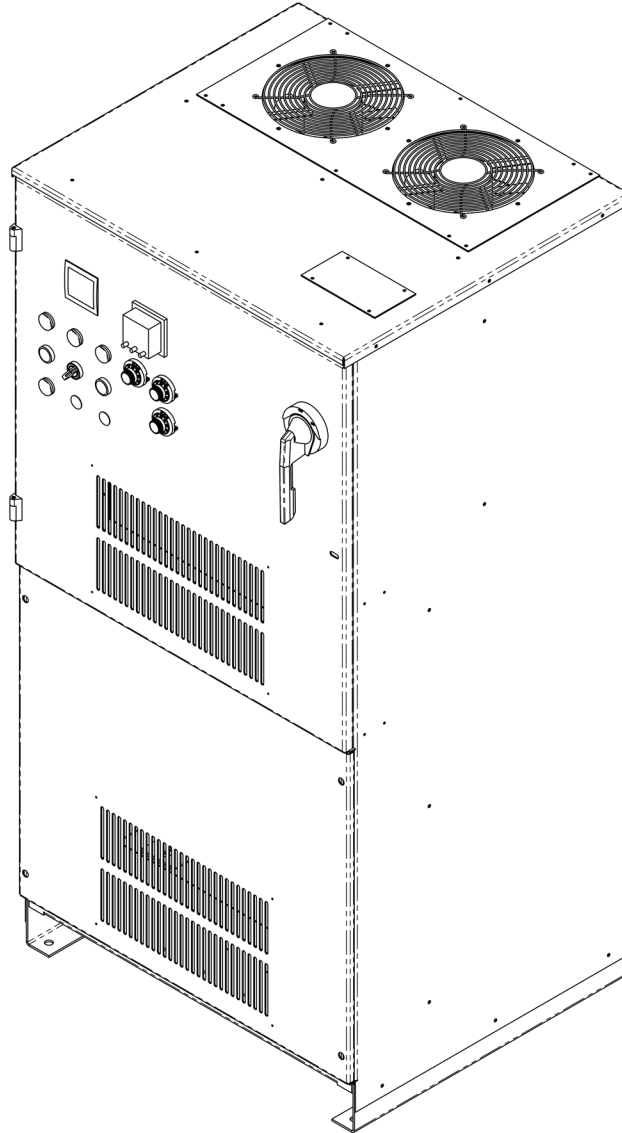


DATA SHEET

DC Power Supply

Series 70



PRODUCT INTRODUCTION

RXPO DC Power Supply

Series 70 Air Cooled

The Series 70 AutoCoat rectifier has a front access, single transformer, secondary thyristor design, which can be used as both a standalone rectifier or in a Modular Anode Control (MAC) system. Offered in two models, the Model 706 (utilizing a 6-pulse SCR configuration) and the Model 7012 (utilizing a 12-pulse SCR configuration), the Series 70 AutoCoat is available with DC output ratings of 400V – 450V and 200A – 400A. Custom voltage and currents available.

Compatible with today's advanced e-coat processes, the Series 70 AutoCoat rectifier is specifically designed for automotive and general e-coat applications which require greater voltage and current control of each anode. Designed for optimum, reliable performance in harsh industrial environments, the Series 70 AutoCoat rectifier is an ideal choice for MAC e-coat applications, as well as smaller single rectifier systems.

Key Features

Small Footprint:

The Series 70 model comes in a compact package. Although, not part of the definition, a small footprint can reduce installation cost and sometimes make maintenance easier—less enclosure space, lighter weight w/ lower shipping costs.

I/O Modules:

The Series 70 model features I/O modules for PLC control and rectifier communications. I/O module options include: analog (4-20mA, 0-10V) and digital input and outputs (24V, 120V). I/O modules are compatible with PLCs from various manufacturers.

Front Access:

Front-access system; back or side access and clearance are not required.

Extensive Controls and Monitoring:

Extensive set of standard controls and monitoring. Optional local or remote controls are available to suit almost every application.

Dedicated Outputs:

Up to (2) for 200A, (4) for 400A.

PRODUCT SPECIFICATIONS

Electrical		
	Input Voltage	208V / 240V / 480V / 600V, 3-phase
	DC Output Voltage	400V - 450V (consult factory for optional voltages)
	DC Output Current Rating	200A / 400A
Voltage Options		
	60 Hz	Standard
	50 Hz	Optional

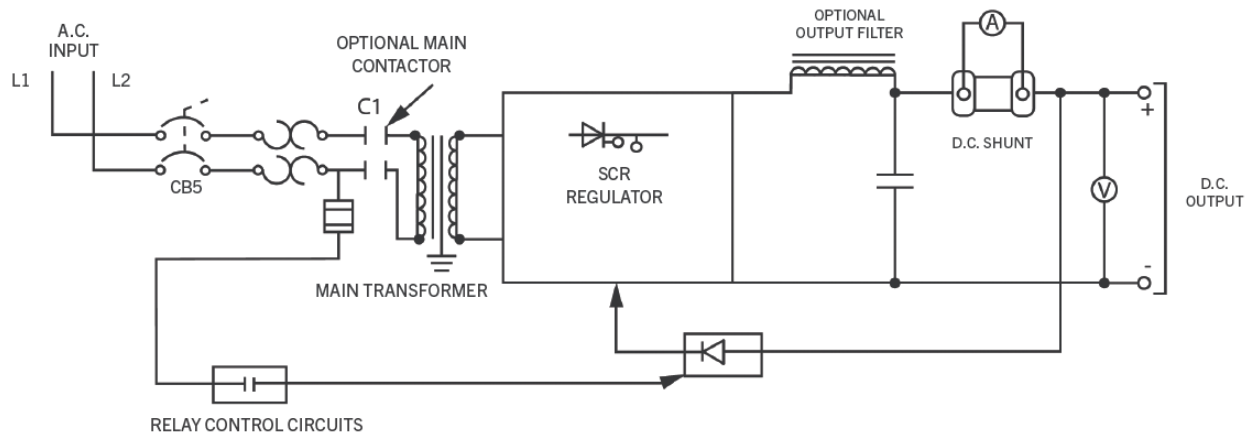
PRODUCT SPECIFICATIONS (CONT.)

Environmental		
Operating Temperature		32° to 104° F (0° to 40° C)
Humidity Rating		95% relative humidity (non-condensing)
Elevation		Maximum: 5,000 ft. (1524 meters) without de-rating
Codes/Standards		Compliant to applicable portions of the National Electric Code NFPA 70 (NEC)
Mechanical		
*Dimensions (L x W x H) Inches		200A: 29" w x 25" d x 60" h / 400A: 32" w x 31" d x 70" h
Weight		200A: 1,400 lbs. / 400A: 2,100 lbs.
Enclosure Types		NEMA-1

*Optional Drip-shield (not shown) adds 0.5" w, 4" d, and 8" h to each model

ONE-LINE DRAWING

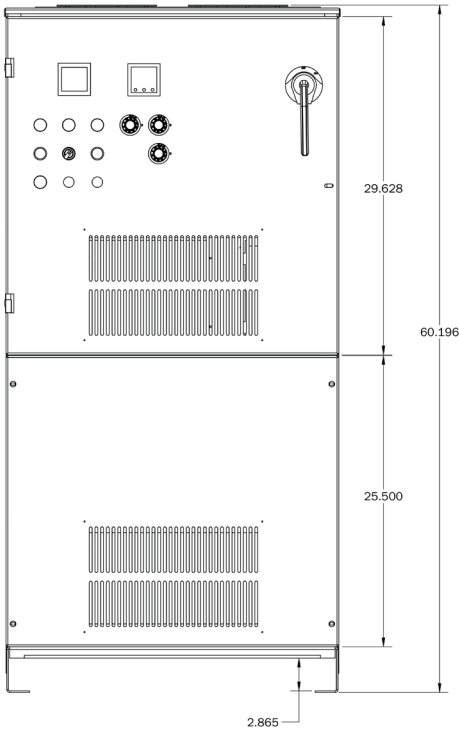
The basic function is to take A.C. power and convert it to D.C. power:



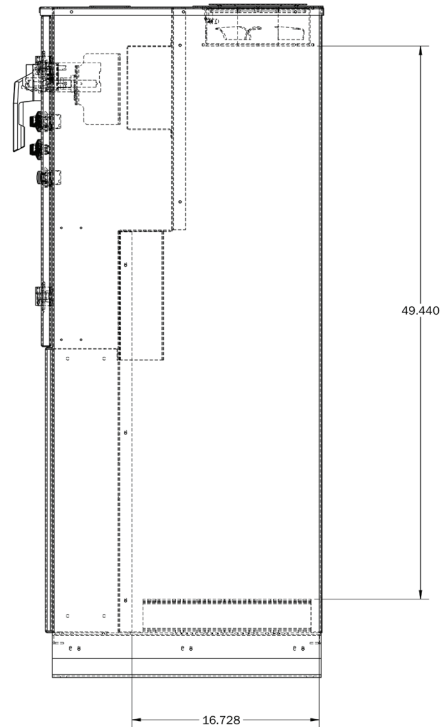
DIMENSIONAL DRAWINGS

Series 70 Power Supply (Measurements in Inches)

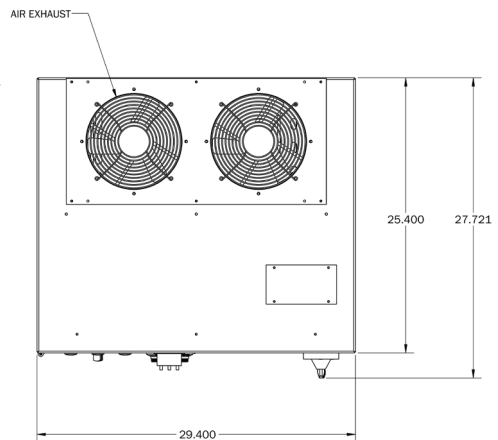
Front View



Side View



Top View



ORDERING INFORMATION

Ordering Information	
Catalog Number (contact Trystar)	DC Power Supply (Series 70)

