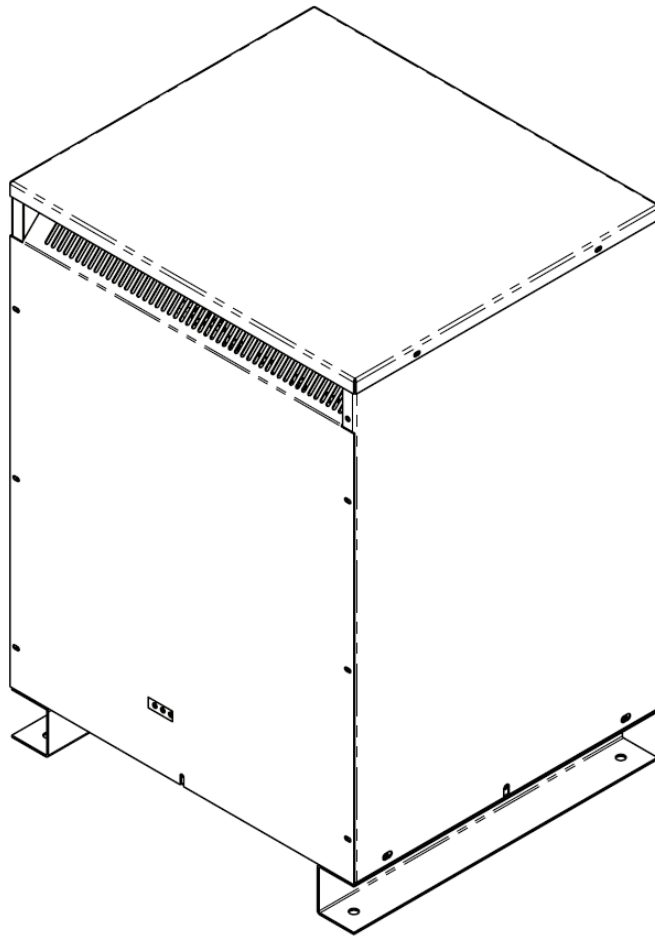


ULTRA K/M
75K(I) - 225K(I)
POWER CONDITIONER
THREE PHASE
ISOLATION
TRANSFORMER



INTRODUCTION

Power Conditioner

Model Ultra-K/M

Designed specifically to provide voltage regulation, isolation, and power distribution for medical imaging diagnostics and treatment equipment. The SureImage Power Conditioner enables OEM and site engineers to meet and exceed the minimum recommended power requirements and provide additional power quality. Sure Image Ultra-K/M conditions and isolates power protecting the equipment from spikes, harmonics, and ground noise ensuring clear and accurate scans.

The Ultra-K/M has many different features that set it apart from other power conditioning transformers.

- 1). Low Output Impedance. The UltraK/M has a 2% output impedance. This provides higher inrush capability, while delivering a more stable voltage and a lower vTHD during an imaging scan.
- 2). Line noise and ground noise attenuation. Many power conditioners do not have high levels of ground and line noise attenuation. The Ultra-K/M Power Conditioner is triple shielded, and provides common mode (line to ground) noise attenuation of 146dB, simply the highest in the industry.

Key Features

Designed for Medical Imaging & Treatment Equipment

Engineered specifically for MRI, CT, PET, X-Ray, and Linear Accelerator systems.

Conditions and isolates power to protect sensitive imaging electronics from spikes, harmonics, and ground noise, improving image clarity and system reliability.

High Intermittent Power Capability (K(i))

K13 rated transformer supports extreme inrush currents common during imaging scans and treatment pulses.

Supplies momentary power demands 3–5× steady-state current without voltage collapse.

Superior Voltage Regulation

2% load regulation from steady-state to intermittent demand.

2% output impedance (typical at 50% load) for excellent step-load performance.

Industry-Leading Noise Attenuation

Triple-shielded construction provides: 146 dB common-mode noise attenuation and Transverse-mode attenuation: 3 dB @ 10 kHz, 40 dB per decade.

Integrated Surge Protection

Standard SPD with high-frequency filter, secondary-connected, rated 40 kA per mode.

Optional 100 kA per phase UL 1449 Type 2 SPD with EMI/RFI filtering and Form-C relay contacts.

High-Efficiency, Code-Compliant Design

Meets or exceeds DOE 2016 Minimum Efficiency Standard (10 CFR Part 431).

Complies with Canadian Energy Efficiency Standard C802.2-12.

SPECIFICATIONS

Electrical

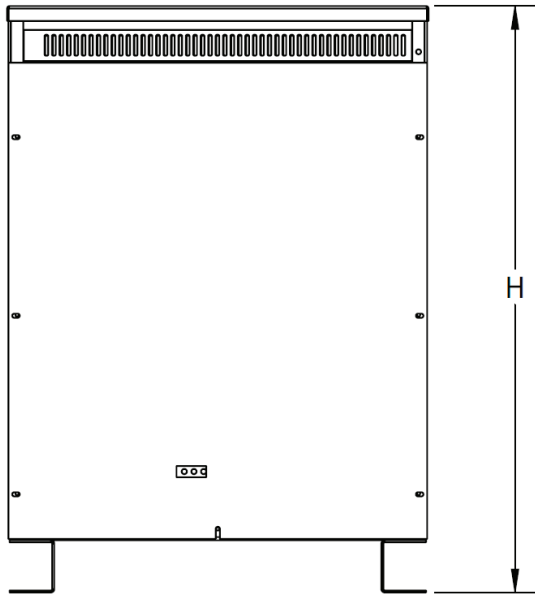
Input	208, 240, 480, or 600 VAC, 3-phase Delta
Output	208 VAC or 480 VAC, 3-phase Wye
Input Frequency	60 Hz + 5%
Intermittent Ratings	75K(i), 112.5K(i), 150K(i), 225K(i)
Continuous Ratings	45 kVA, 75 kVA, 112.5 kVA
Output Impedance	2% typical
Voltage Regulation	<4% no-load to intermittent; <2% steady-state to intermittent
Overload Capacity	500% for 10 sec; 1000% for 1 cycle
THD Contribution	≤1% added
Efficiency	Meets/exceeds DOE 2016 at 35% load
K Rating	13

Environmental

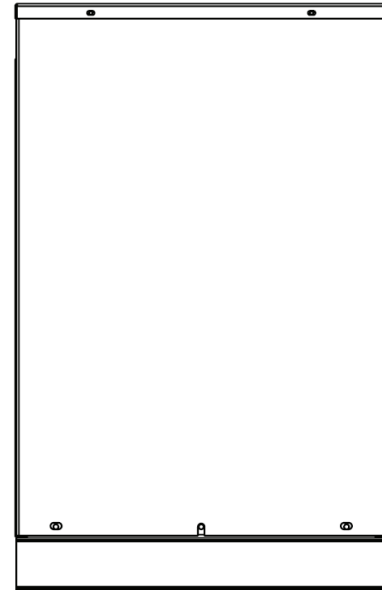
Operating Temperature	-13° to 104° F (-25 to 40° C)
Humidity Rating	0-95% relative humidity (non-condensing)
Common Mode	146 dB
Transverse Mode	3 dB @ 10 kHz, 40 dB/decade

DIMENSIONAL DRAWINGS

CABINET OUTLINE 75K(i) - 150K(i)
(Dimensions in Inches)

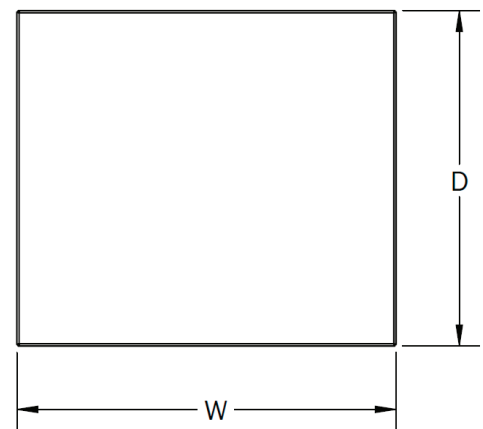


Front View



Side View

	W	D	H
75kVa - 150kVa	28	25	29
225kVa	38	32	57



Top View

