

Tuff Panel 10 x 20A

Power Distribution Products



APPLICATION RANGE

Trystar Tuff Panel

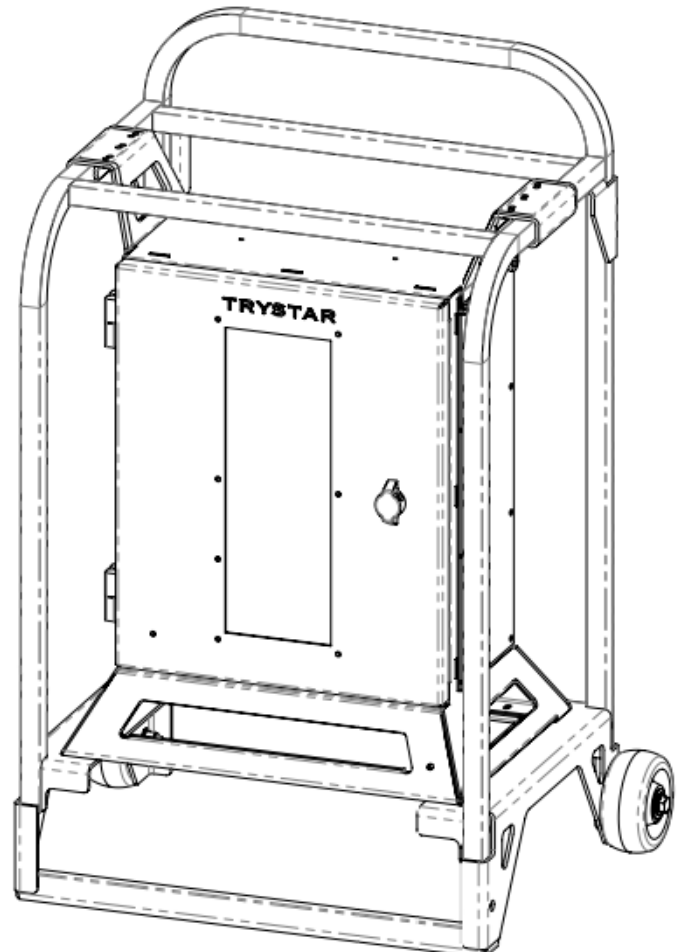
200A 208Y/120V

STANDARD FEATURES

- NEMA 3R All Aluminum Construction
- Access Door with Breaker Viewing Window
- Removeable Gland Plate with Panel Mounts on Back of Panel
- Clear Flip Covers on All Panel Mounts to Prevent Accidental Contact
- Mounted in Tilt and Roll Cage with Wheels
- Made in the USA

CONFIGURATION

- Input
 - 1 Set of Male 16 Series Panel Mounts (BK,RD,BE,WT,GN)
- Output
 - 10 x 20A L21-20 Receptacle
 - 30 x 20 Amp 1P Branch Breaker



LISTINGS

- UL1640 Listed
- C(ETL) Listed
- UL 50 Listed
- NEMA 3R

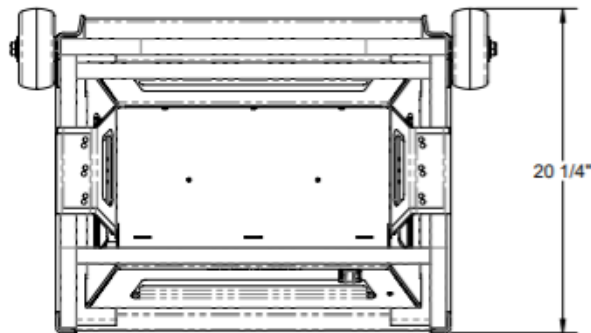
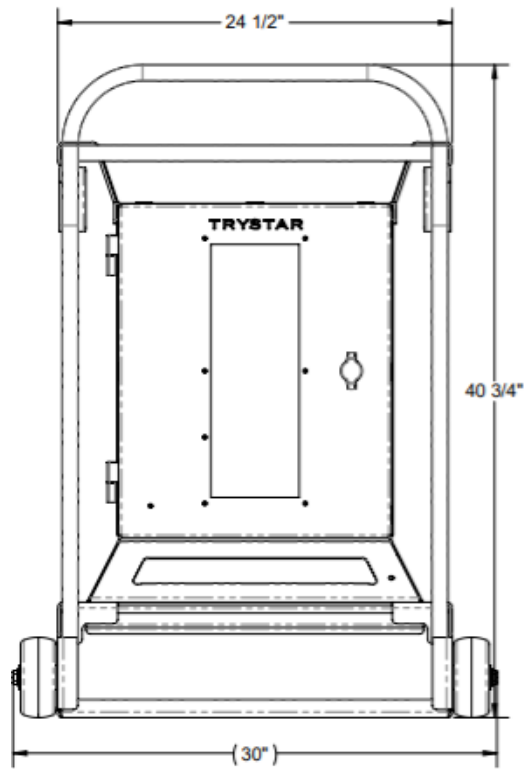
*Images are representative, specific final design details may vary

Tuff Panel - 10 x 20A

DIMENSIONS AND WEIGHTS



APPROXIMATE WEIGHT: 110 LBS.



*Dimensions are representative, specific final design details may vary