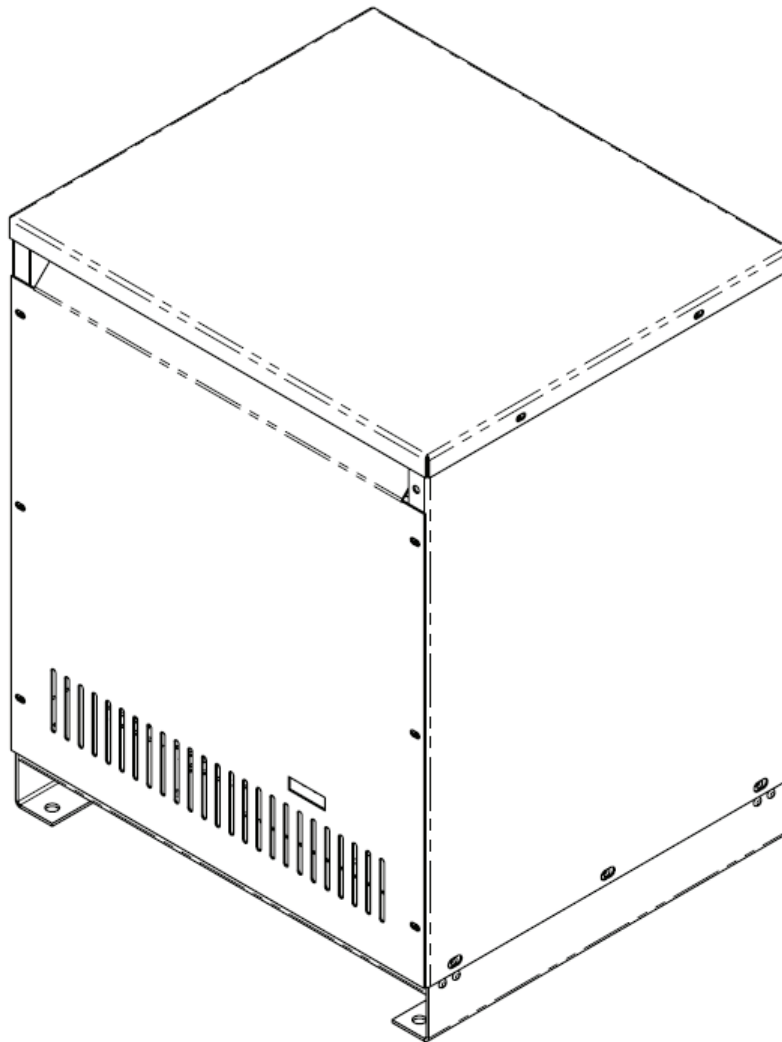


**Power Conditioner**

Series 600K-he 5, 8, 10, 15, 20, 25 kVA  
60/50 Hz



# INTRODUCTION

## Power Conditioner

### Series 600K-he, 5-25 kVa 60/50 Hz

Trystar’s ULTRA-K Series 600K-he High Efficiency, K-Rated, Power Conditioning Transformers are specifically designed to protect sensitive electronic equipment from electrical noise, harmonics, and voltage transients. The ULTRA-K establishes a new neutral to ground bond on the transformer’s output, meeting the definition of a separately derived power source as defined in NFPA 70, Article 250.20 (D). Its robust copper-wound construction, K-rated design, and high-efficiency core minimize losses while delivering clean, stable power in demanding environments.

### Key Features

#### Input / Output Circuit Breaker

Circuit breaker (15A – 800A ratings) provided in a separate NEMA 1 enclosure for external mounting and installation.

#### High / Over Temperature Alarm Contacts

Thermal warning alarm contacts for customer’s hardwired connection. Thermal sensors at 180° C and 200° C.

#### NEMA 3R Enclosure

UL Listed NEMA 3R enclosure for outdoor installations. The enclosure is constructed using 14 gauge galvanized steel and provided with a durable powder coat paint finish.

#### IR Scanning Window

Infrared, transparent polymer IR window(s) for safe thermal scanning of transformer connections under load, without exposing personnel to arc flash hazards.

#### Exceptional Electrical Noise Attenuation

Standard dual electrostatic shielding provides 126 dB common-mode noise attenuation. Optional triple shielding increases attenuation to 146 dB, offering 10× greater noise reduction. The ULTRA-K not only attenuates noise from input to output but also prohibits system back feed from noise generating loads.

# SPECIFICATIONS

Power		
	Power Output	5, 8, 10, 15, 20, 25 kVA
	Electrical Output	120, 120/240, or 208 VAC
	Input (5-25kVA)	208, 240, 480, or 600 VAC
	Output Impedance	2% to 3.5% typical
	Output Distortion	Less than 1.0% THD added under linear load
	Load Regulation	2% typical, no load to full load
	Overload	Up to 500% for 10 seconds, 1000% for 1 cycle
Frequency		
	60 Hz (+/- 5%)	Standard
	50 Hz	Optional, consult factory

## SPECIFICATIONS (CONT.)

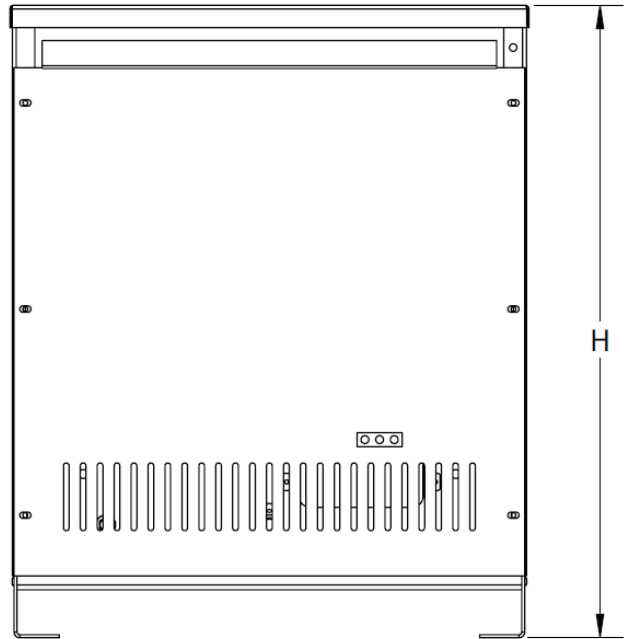
Environmental		
	Operating Temperature	-13 to 104°F (-25 to +40° C)
	Humidity	0 to 95% non-condensing
	Altitude	Up to 5,000 ft without derating
	Audible Noise	45-60 dBA @ 1 m (kVA dependent)
K-factor		
	Ratings	K4, K7, K13, K20
Mechanical		
	Enclosure	Standard, floor mounted: NEMA 2 up to 225kVA NEMA 1 at 300kVA and 500kVA Note: Optional NEMA 3R outdoor enclosure available up to 225kVA
Accessories		
	High / over-temperature alarm contacts (180°C / 200°C)	
	IR scanning window(s)	
	Mechanical lug kits	
	Custom voltages and special designs (e.g., high-leg delta)	

### DIMENSIONAL DRAWINGS

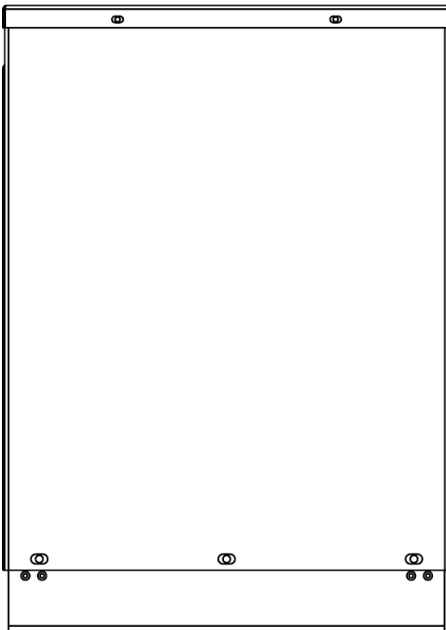
(in Inches)

	W	D	H
5kVa - 25kVa (1ph)	23	20	28

Front View



Side View



Top View

